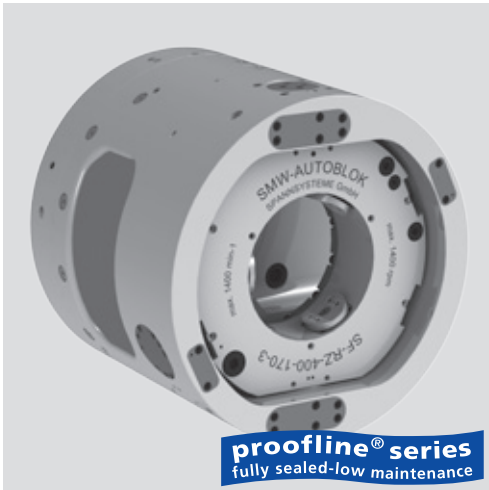


SF-RZ

2 Position hydraulic ring indexing chuck

- 3 self centering jaws
- large evacuation windows for easy chip flow
- fully automatic and controlled indexing



Application/customer benefits

- Machining of couplings up to 5 1/2" in one set up
- Indexing 180°
- 3 self centering jaws external clamping
- Compact design and light weight
- Standard mounting for easy retrofit on existing machines

Technical features

- Hydraulic operated, automatic ring indexing chuck
- All functions controlled by proximity switches
- Extremely accurate and rigid indexing mechanism
- Optional: pendulum clamping inserts, central coolant supply

Standard equipment

Chuck with mounting bolts

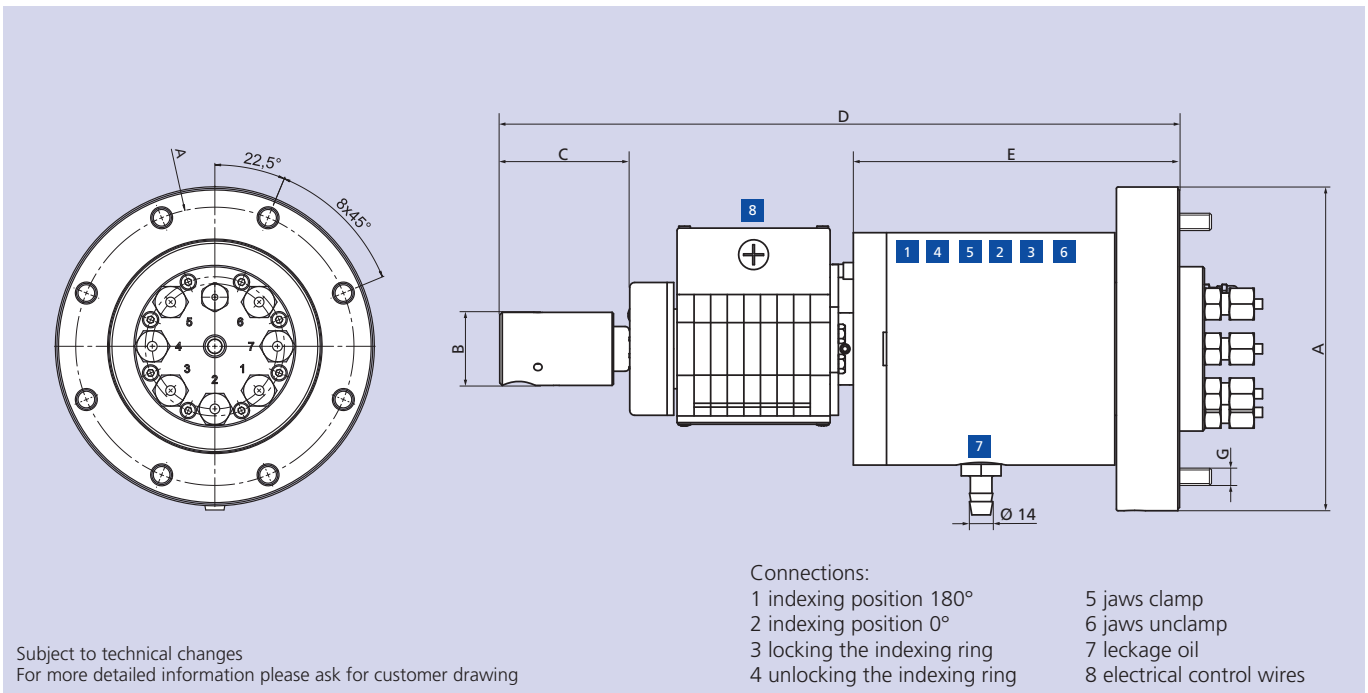
Ordering example

SF-RZ 400

Accessories

- 7-way oil distributor
- Connection kit for coolant supply

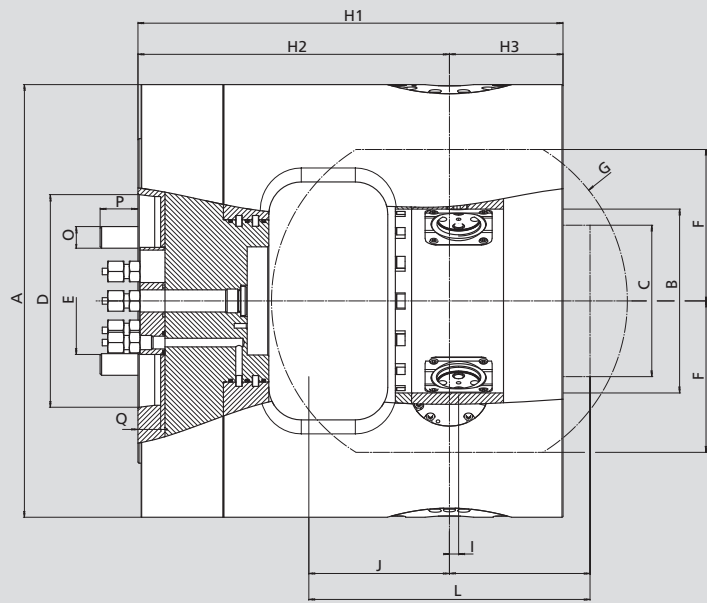
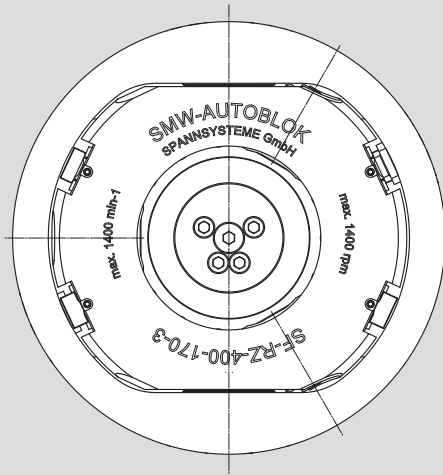
MDV 65 7-way oil distributor



SMW-AUTOBLOK Type		MDV 65
Id. No.		045920
A	mm	195
B	mm	44
C	mm	78.3
D	mm	331.2
E	mm	196.5
F	mm	170
G	mm	8xM12
Max. speed	r.p.m.	1400
Weight	kg	28

For exact position of the connecting ports, please ask for a customer drawing.
All ports (1-6) are G 3/8".

Main dimensions and technical data



Subject to technical changes
For more detailed information please ask for customer drawing

SMW-AUTOBLOK Type			SF-RZ 400
Id. No.			054934
Chuck O.D.	A	mm	400
Indexing ring I.D.	B	mm	170
Max. workpiece O.D.	C	mm	140
Spindle mounting	D		A11
Connection panel O.D.	E	mm	99
Height indexing ring	F	mm	140
Swing indexing ring	G	mm	329
	H1	mm	393
	H2	mm	288
Indexing axis	H3	mm	105
Jaw axis	I	mm	8.5
	K	mm	130
Max. length of workpiece	L	mm	260
Clamping stroke	M	mm	5.7
Mounting bolts	O	mm	M20
	P	mm	35
	Q	mm	21
Max. speed		r.p.m.	1400
Max. pressure		bar	50
Max. clamping force		kN	120
Weight		kg	225
Moment of inertia		kg·m ²	6